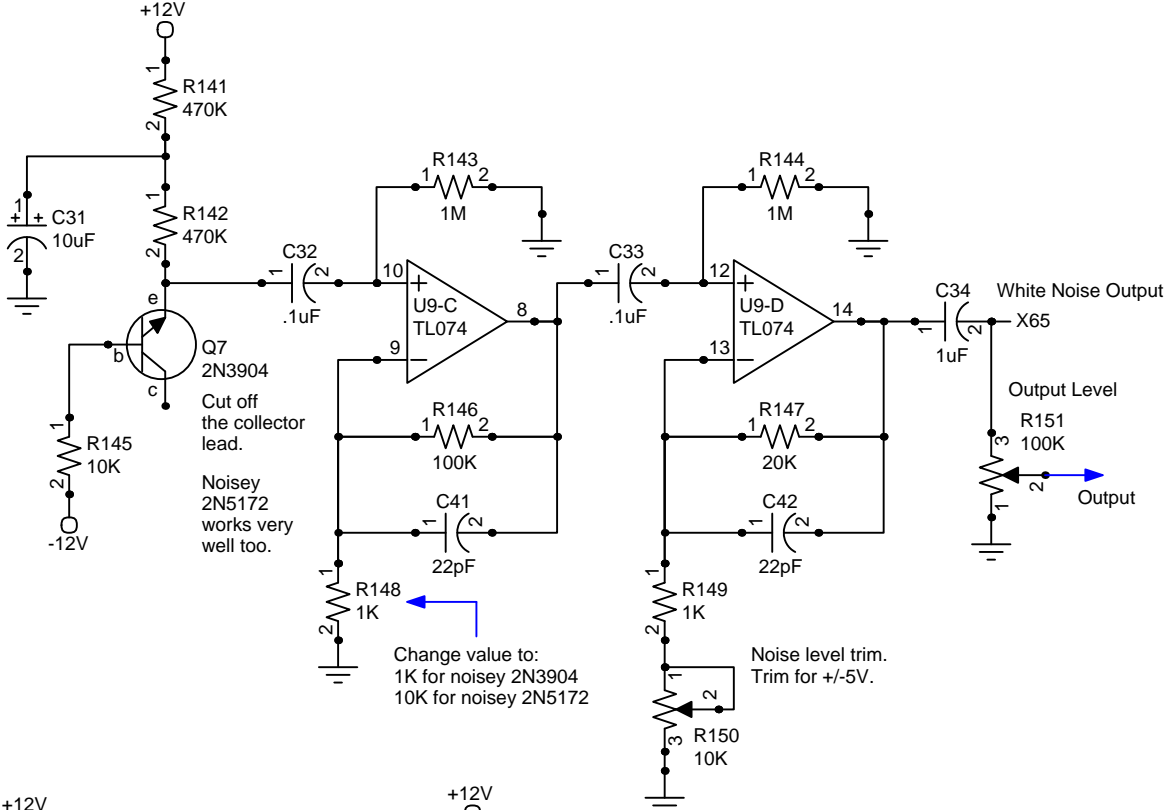
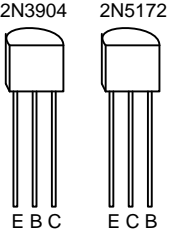


MFOS Synth-DIY Experimenter Board

Designed by Ray Wilson August, 2010

White Noise Generator Section

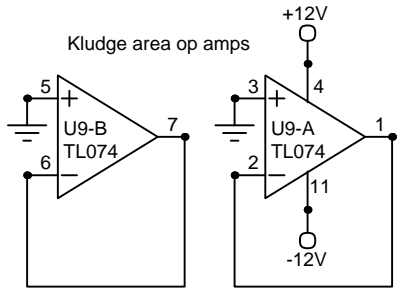
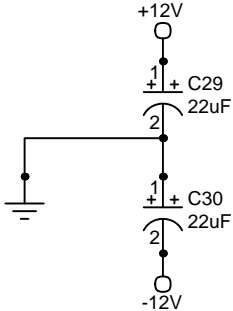
NOTICE!
Pin difference between the two suggested noise transistors.



Cut off the collector lead.
Noisy 2N5172 works very well too.

Change value to:
1K for noisy 2N3904
10K for noisy 2N5172

Noise level trim.
Trim for +/-5V.



NOTICE!
Kludge section schematic is shown with the jumpers installed which pacify the op amps if not used for other circuitry.
Only install the jumpers in the kludge op amp section if you don't use them for other circuitry.